



TIMBERLOOK FLUSH SASH

HERITAGE WINDOW

Timberlook Flush Sash in Cotswold Grey RAL 7038



We're fortunate to have a rich tradition and history. It's reflected in our buildings which show the changing trends in architecture and the development of the craftsmen's skills. Our diverse geology is shown in the materials we've used: rich red clays, soft grey limestone, Welsh slate, crystalline granite, and sharp, scalloped flints. Every bit of our past is precious because it's made us who we are.

Every era has its own revolutionaries: those who break the mould, strike out, create a building that redefines a home. When that happens, the rules change. Tall buildings become wide buildings, rich becomes simple, and texture and colour replace detail and ornament. The inspirational architects who have shown such vision have made our culture richer and have opened our eyes to new possibilities.



- 2 **WELCOME** *Timberlook Flush Sash*
- 4 **INTRODUCTION** *to Timberlook*
- 6 **TRADITION** *and heritage*
- 8 **TECHNOLOGY** *behind Timberlook*
- 10 **THE BEST** *of both worlds*
- 12 **CILLS** *The Radlington*
- 16 **FINISHING** *Touches*
- 18 **COLOURS** *the Timberlook Collection*

TRADITION & TECHNOLOGY

Install Timberlook Flush Casement Windows and enjoy the Best of Both Worlds



Timberlook Flush Sash in Cotswold Grey RAL 7038

If PVCu had been available to builders in the past, they would have used it. No one disputes the beauty of timber, but it has drawbacks. In the wet, it can swell. In dry conditions, it can shrink. It can warp or twist and whatever else you do, you'll always have to find the time to take good care of it. Imagine never having to paint a window. Imagine never having a window already welded shut with layers of paint.



PVCu windows are tough, durable and insulating. They need hardly any maintenance. They open easily and when they're closed, they are secure. Timberlook Flush Casement windows replicate the appearance of traditional wooden frames: the delicate curves, detailing and trims, even the colours, grain and texture, but there's more on offer than good looks. Multi-chambered frames are secure and strong, advanced seals block the weather, high-specification glazing provides thermal and acoustic insulation. We don't believe in 'either/or' – we know you can have traditional style and 21st century performance.

Timberlook sightlines are spot on. Our Flush Casements have perfectly balanced dummy sashes and replicate the appearance of timber frame construction with mortise and tenon looking jointing. There is a great selection of period colours and wood-effect finishes, including a timber-grained, white or cream painted effect.

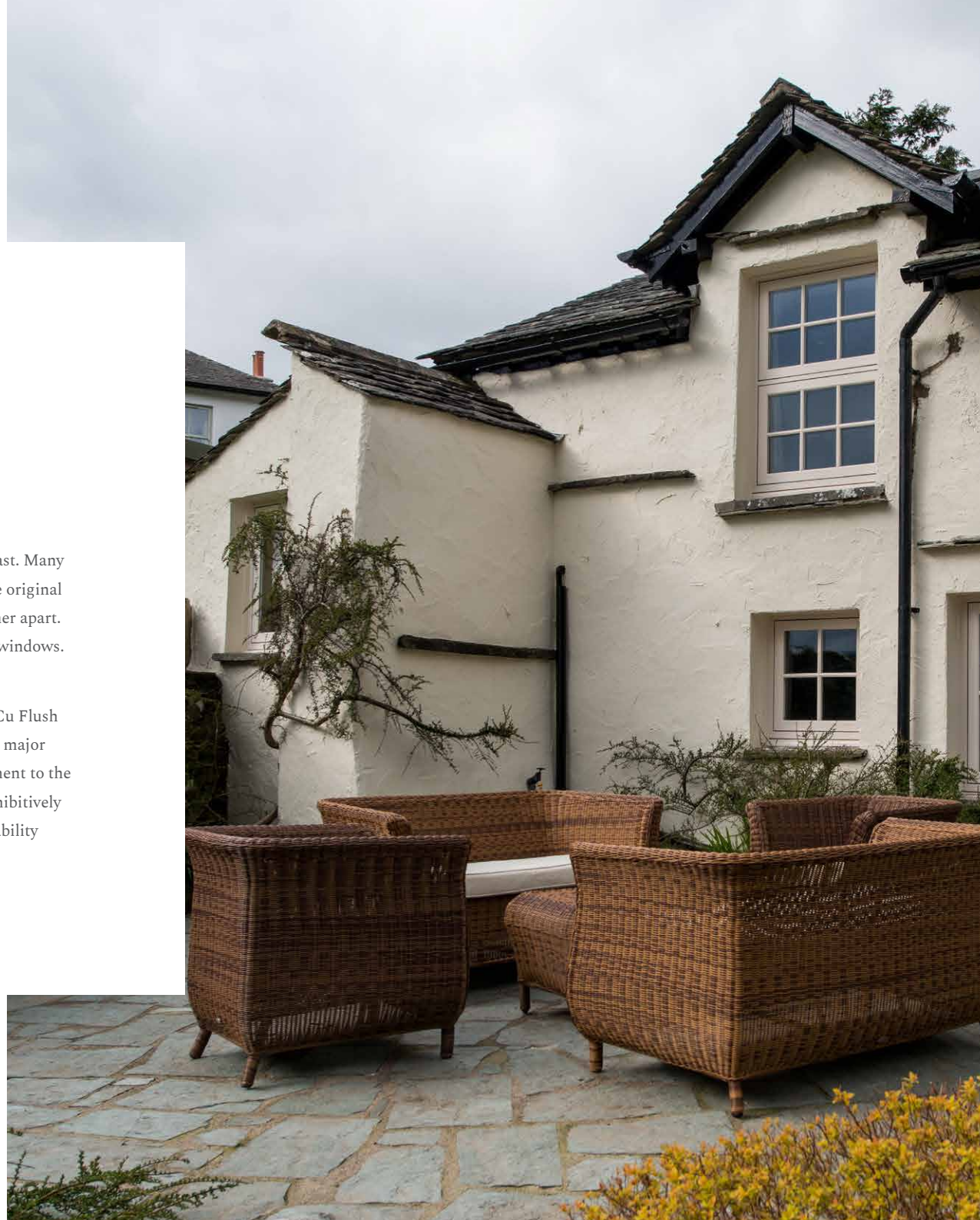
Timberlook colours also include a Smooth Anthracite 7016 Grey finish which matches the most popular Aluminium Bi-fold Door colour.

TRADITION

Combined with Modern Technology

There's a fine line between preserving our heritage and being stuck in the past. Many planning authorities recognise this and although there are a few cases where original materials are the only acceptable option, these are becoming fewer and further apart. Conservation areas and even listed buildings now have their share of PVCu windows.

The reasons are simple: the appearance has been perfected. Timberlook PVCu Flush Casement windows are virtually indistinguishable from timber but have two major advantages. Firstly, they are more affordable and can make a huge improvement to the comfort and appearance of a property where timber alternatives may be prohibitively expensive. Secondly, their insulating qualities, easy maintenance and recyclability make them an environmentally-friendly alternative.





Flush Sash in Cream Foil
with Premium Heritage Furniture



TECHNOLOGY

Timberlook is a new Flush Sash Window system that boasts a square mortise & tenon looking fabrication for both sash and outerframe, instead of the tell-tale mitred joints that would normally identify a window as being fabricated from PVCu.

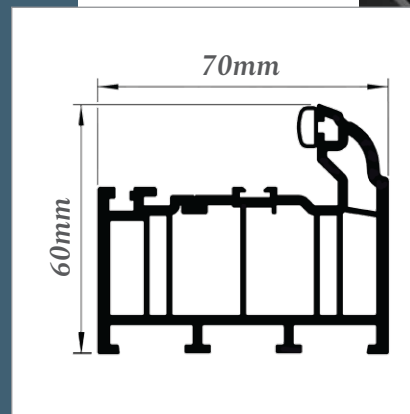
Additionally, the Timberlook Flush Sash has a 70mm back to front frame size to make your installation fast, a slim 60mm sash to replicate a timber sash, and a night latch as standard.

Timberlook Flush Casement windows are designed to deliver fantastic thermal performance using 24mm sealed-unit double glazing. The overall energy efficiency is dependent upon the actual glass, the construction of the sealed unit, the gas used to fill it and the ratio of glass to frame. We'll work with you to find the best combination for your home and how you use it.

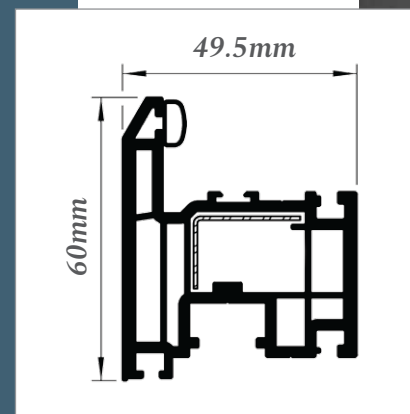
You can recreate your home's original window style with our Cottage Bar, or astragal bar - measuring 22mm. Our glazing bars fit perfectly onto the surface of the glass, indoors and outdoors, keeping the efficiency of a single glazing unit, while maintaining the traditional look of the property.

With features such as an optional deep bottom rail and concealed external trickle ventilation, The Timberlook Flush Sash is virtually identical to the most expensive flush sash timber windows.

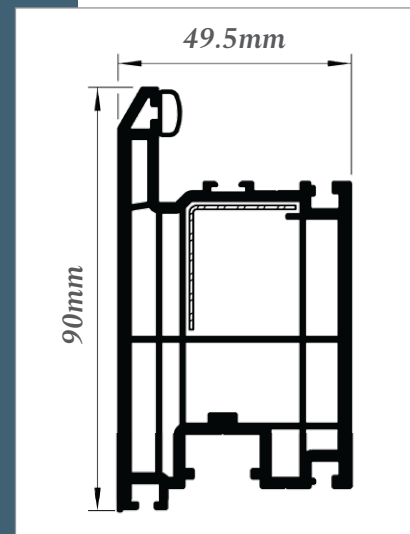
Trickle ventilation is a requirement for some installations and the external cover vents can be unsightly, spoiling the appearance of the window and property. When trickle ventilation is required, the extended cover vents are concealed by a head drip on the Timberlook outerframe, so the appearance of your property is not spoiled.



Outer Frame



Flush Casement



Deep Bottom Rail



Timberlook Concealed Trickle Ventilation

Dual Setting Night Vent

Unique to the Timberlook Flush Casement windows is a dual setting for night ventilation.

Timberlook Flush Sash Windows are supplied with high performance security systems. The espagnolette and striker provide an effective, secure locking system with a smooth closing action.

As a Secured by Design approved product, it meets PAS024:2012 with ease and is perfect for flush fitting windows.

The Timberlook Flush Sash comes with a night latch as standard.





THE BEST OF BOTH WORLDS

Let's get the jargon out of the way. A casement is simply a window held on hinges in a frame.

In the UK where external shutters are rare, the vast majority of casements open outwards. Within casements, there are various styles. The Timberlook Flush Sash fits inside the frame so the window does not have the look of a standard PVCu Window.

It's a design that is elegant in its simplicity and is found in all sorts of traditional properties, from all periods. What's more, the lines are understated which makes them ideal for more contemporary properties which rely on minimalist styling. Timberlook Flush Casements replicate the original timber appearance to perfection but go well beyond in terms of thermal performance and weathering capability. Now it's possible to have the look you want and the comfort you need. Now it's possible to combine charm and security, character and ease of maintenance. It's tradition with new technology.

Even though our materials are modern and our technology advanced, we've not rejected the best of our traditions. We're as proud of our history as you are of your beautiful home, but we know that your comfort, security, carbon footprint and sustainability are important too, even if you live in a stunning historic home.

Timberlook Flush Casement window systems are made in Great Britain by a business that's respected for its methods and its quality, and which employs many of the industry's leading designers and manufacturing experts. It delivers the best of innovation whilst maintaining respect for the architecture and buildings of the past.



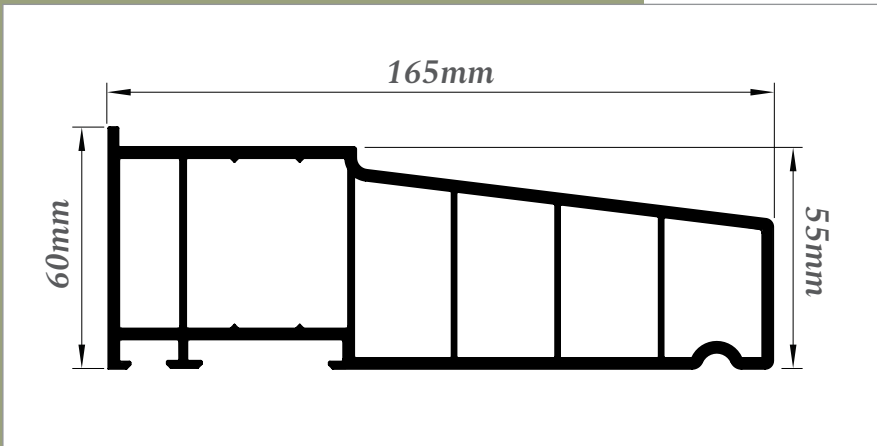


Timberlook Flush Sash windows look amazing with the contemporary shallow cill that comes as standard. However, we feel that The Radlington Cill is one accessory that you simply must consider adding!

Old imperial bricks varied in height, metric bricks are 65mm. Old timber cills were deep and often aligned with a course of bricks. At 55mm, The Radlington Cill is a modern interpretation and allows for packing expansion, Baypole jacks and irregular mortar. So if you are replacing traditional timber windows, installation becomes easier and the result more authentic. If your installation is a new build, you can recreate the traditional look with The Radlington Cill.



The Radlington Cill

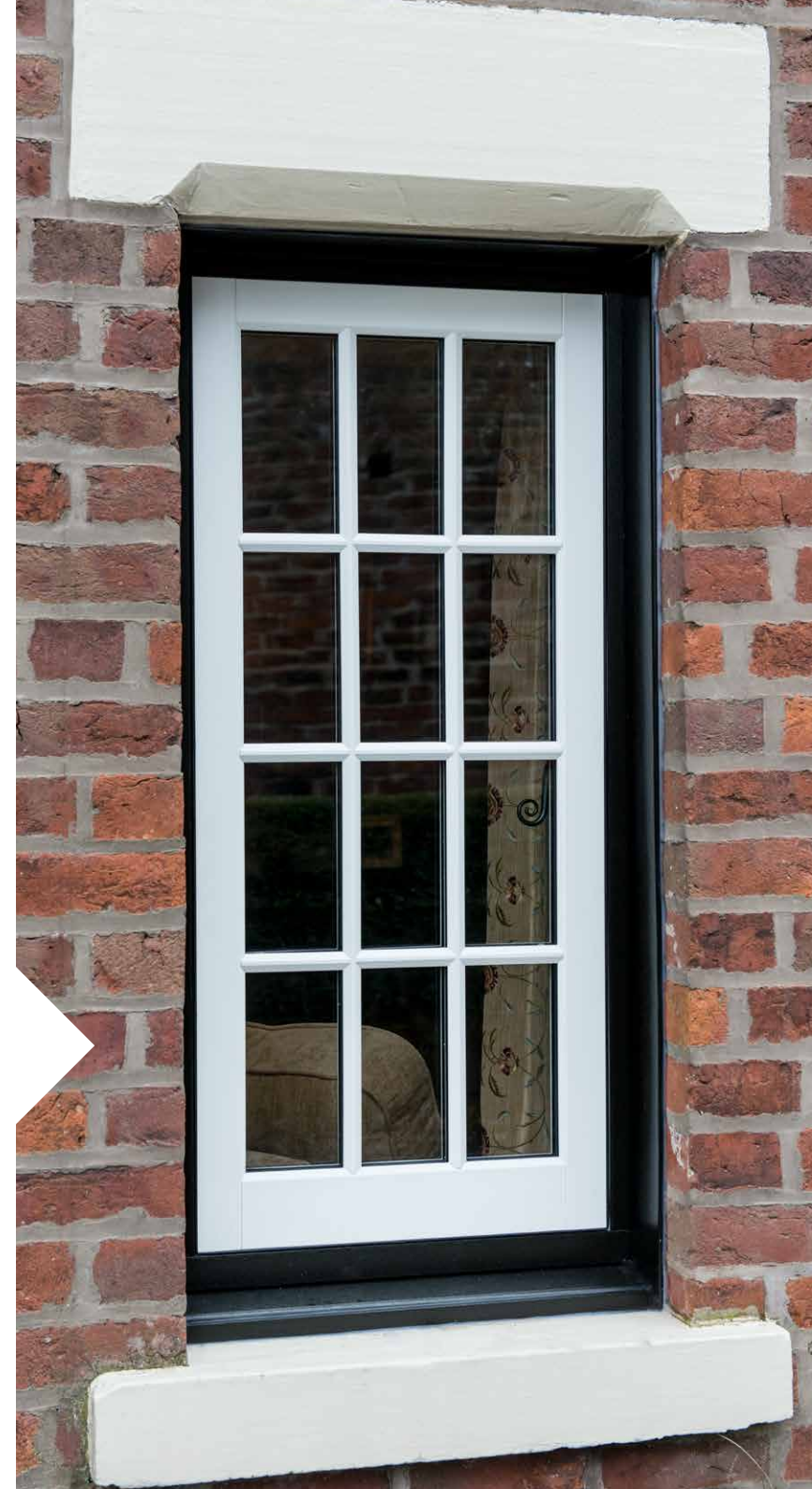


The Radlington Cill is a deeper nosed cill at a height of 55mm. It is a modern interpretation of the sort of timber cill found on older traditional timber windows and is a superior upgrade to the standard cill available. Choosing to add the Radlington Cill will make your windows really stand out.





A beautiful example of how the Timberlook Flush Sash can be used to maintain the feel and look of original windows.



FINISHING TOUCHES



Timberlook Flush Sash windows comes with contemporary handles as standard, but can be enhanced with our Premium Regency Furniture, including a Dummy Stay, Monkey-tail Handle or a Teardrop handle - all available in a choice of finishes. They have security built-in features like key-locking handles, which secure all around the frame, sash locks, and child safety restrictors.

This system has been developed to offer as much choice of individual style as possible whilst still retaining the authentic proportions and designs of historic windows. Our chamfered edges replicate authentic putty lines, and our ovolo detailing is precise. The sculptured option a perfect representation of the carpenter's skill.

We've thought of it all: the right-sized frame with the right-sized window, and transoms, mullions and dummy sashes that create the authentic appearance and lines of a traditional flush casement. The shape is chamfered on the outside to shed the rain, and has a sculptured shape for indoors.

Colours and wood finishes have been carefully selected to complement different building materials, periods and environments. There are soft, subtle shades: delicate creams and greens, striking greys and a host of timber effects.

We couldn't let our hardware let us down. The traditional appearance was a must, so even though our Flush Casements have their own friction hinges, we've got dummy peg stays and gorgeous, monkey-tail handles all finished the way you'd expect, with period colours and a craftsman's attention to detail.



Standard Handles



Premium Regency Furniture



Premium Regency Furniture

Teardrop
Antique Black, Chrome,
Satin Silver, Gold

Monkey Tail
Antique Black, Chrome,
Satin Silver, Gold

Dummy Stays
Antique Black, Chrome,
Satin Silver, Gold

Standard Handles

White, Gold, Satin Gold,
Antique Black, Chrome,
Satin Silver



a. Premium Regency
Monkey-Tail Handle

b. Premium Regency
Teardrop Handle

c. Premium Regency
Dummy Stay

COLOURS

The colours and finishes in the range allow you to match the style and fashions of any era with shades chosen to complement different types of brick, stone and render and a range of wood effects including oaks and rosewood grains.

For more modern homes, there are smart greys with flat surfaces and for black and white timber-framed houses a deep, dark colour that's almost black. And if you want to match your interior décor or features, our dual-colour options might be the answer you're looking for.



Flush Sash in Chartwell Green
with Monkey-Tail Handle

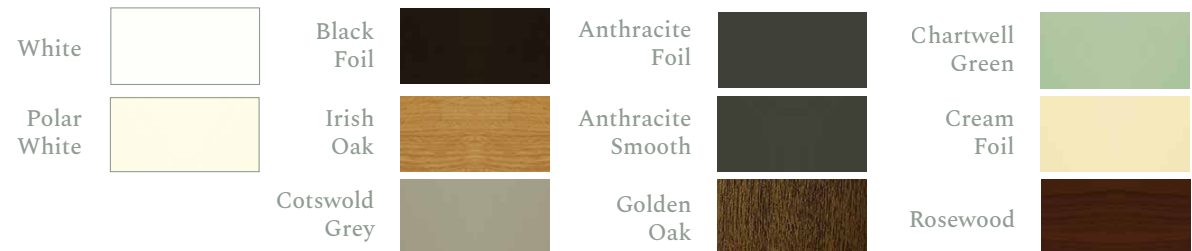




Timberlook Flush Casement Windows are available in a range of standard colours and the matrix below shows how the lead time is affected when ordering combinations of these colours for inside/outside.

		Colour Outside										
		White	Polar White	Black Foil	Irish Oak	Anthracite Foil	Anthracite Smooth	Chartwell Green	Cream Foil	Rosewood	Cotswold Grey	Golden Oak
Colour Inside	White	S	E	S	E	S	E	E	E	S	E	S
	Polar White	n/a	S	E	E	E	E	E	E	E	E	E
	Black Foil	n/a	n/a	E	n/a	n/a	n/a	n/a	n/a	n/a	n/a	n/a
	Irish Oak	n/a	n/a	n/a	E	n/a	n/a	n/a	n/a	n/a	n/a	n/a
	Anthracite Foil	n/a	n/a	n/a	n/a	E	n/a	n/a	n/a	n/a	n/a	n/a
	Anthracite Smooth	n/a	n/a	n/a	n/a	n/a	E	n/a	n/a	n/a	n/a	n/a
	Chartwell Green	n/a	n/a	n/a	n/a	n/a	n/a	E	n/a	n/a	n/a	n/a
	Cream Foil	n/a	n/a	n/a	n/a	n/a	n/a	n/a	S	n/a	n/a	n/a
	Rosewood	n/a	n/a	n/a	n/a	n/a	n/a	n/a	n/a	S	n/a	n/a
	Cotswold Grey	n/a	n/a	n/a	n/a	n/a	n/a	n/a	n/a	n/a	E	n/a
	Golden Oak	n/a	n/a	n/a	n/a	n/a	n/a	n/a	n/a	n/a	n/a	S

S: Standard Manufacturing Time E: Extended Manufacturing Time



Timberlook is a new Flush Sash Window system that boasts a square mortise & tenon looking fabrication for both sash and outerframe, instead of the tell-tale mitred joints that would normally identify a window as being fabricated from PVCu.

Additionally, the Timberlook Flush Sash has a 70mm back to front frame size to make your installation fast, a slim 60mm sash to replicate a timber sash, and a night latch as standard.

Disclaimer: From time to time, dimensions, hardware and designs of our products will change to reflect product development. Accordingly, photographs, drawings, and product dimensions may not always be accurately represented on our website or in brochure material. In addition material colours on our website and brochures are representations only. Printing and computers only show an approximation. Customers should choose colours from actual samples. Before purchasing any product you should check with your installer as to the current design, dimension and exact colour of any product.